



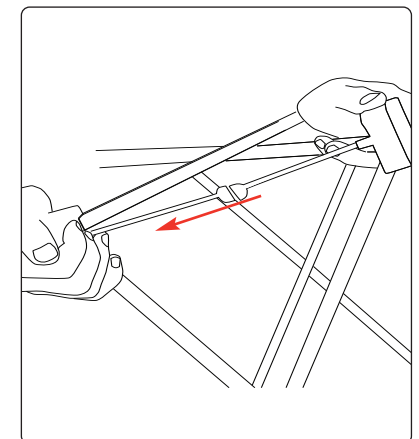
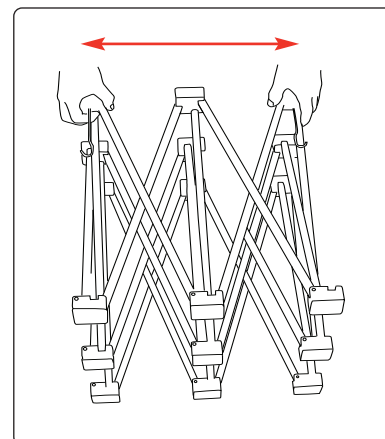
**Hardware specifications**

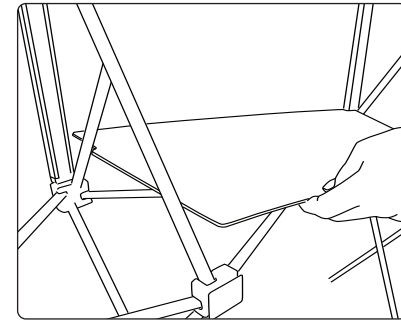
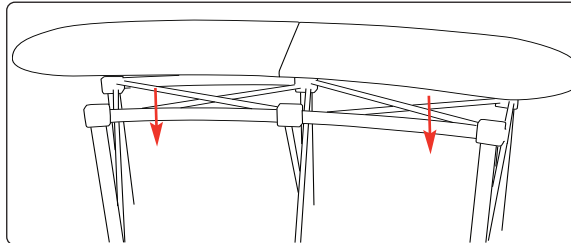
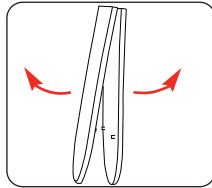
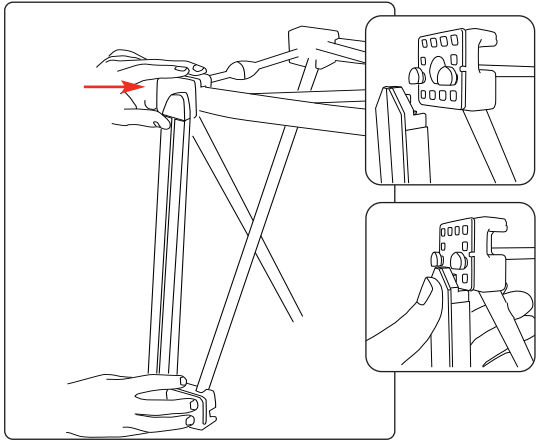
2x2 Assembled dimensions 955mm (h) x 1265mm (w) x 440mm (d) (mm)

2x1 Assembled dimensions 955mm (h) x 822mm (w) x 387mm (d) (mm)

**Graphic specifications**

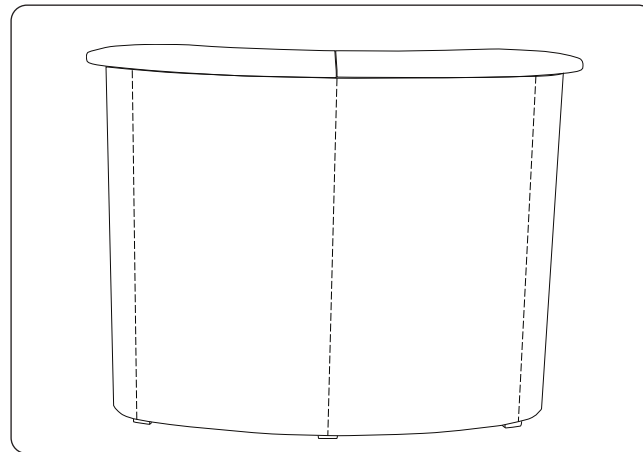
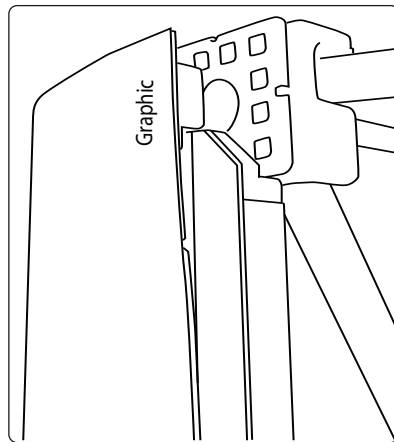
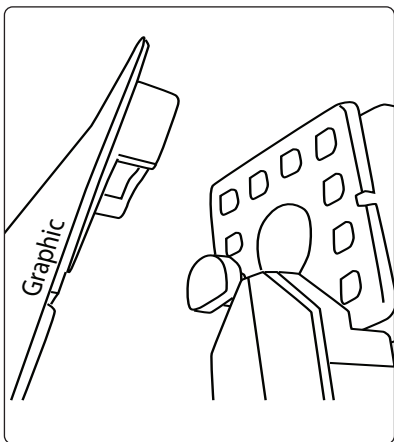
Please refer to Graphic template





Repeat for the remaining 3 shelves

### Attaching Graphic





# Pop-Up: Counter Unit

---

Total Graphic Area:

2000 (w) x 930 (h) mm

D Ends 500mm x 930mm

Curved Front 500mm x 930mm

Build as one file.

Please note where panel breaks are located and try to minimise the amount of type that crosses over the panel breaks.

## General Art Guidelines

---

- CMYK
- Pantone colours.
- Do not supply RGB images.
- Do not embed images, supply them.
- Resolution must be 300 dpi at 25% output size..
- All fonts must be converted to outlines.
- Please supply artwork as PDF or Illustrator EPS files.

## This template...

---

- Is supplied at 25% of finished size.
- Includes 12mm bleed.
- Overall template size:  
506 (w) x 238.5 (h) mm